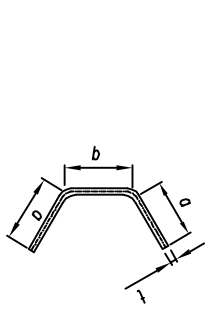
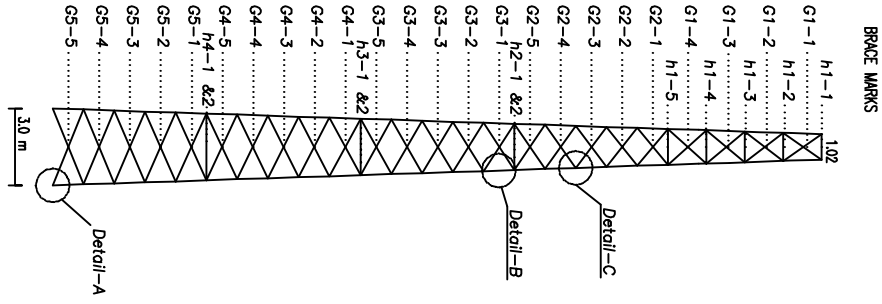


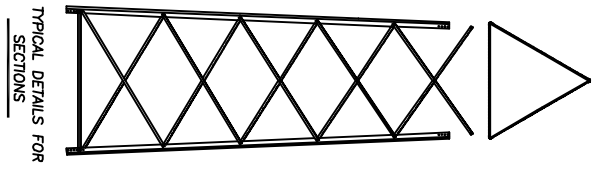
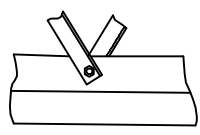
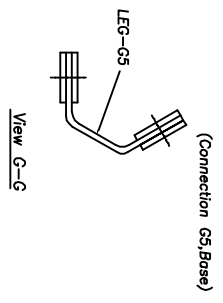
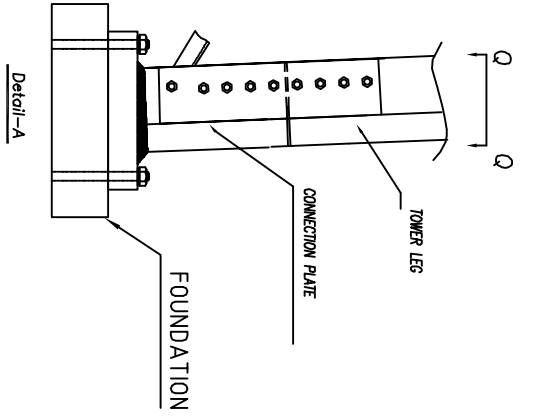
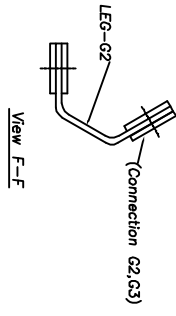
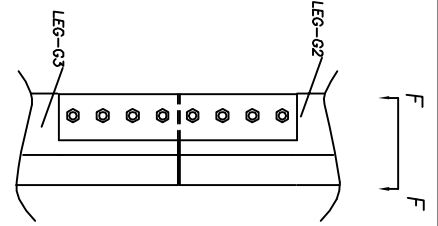
5X600 CM =3000 CM.

SECTION TYPE					
LEG MARKS	G-5	G-4	G-3	G-2	G-1
DIM (IN MM)	LEG:10mm 60° CLANNEL	LEG:8mm 60° CLANNEL	LEG:8mm 60° CLANNEL	LEG:5mm 60° CLANNEL	LEG: 5mm 60° CLANNEL
	LEG SPLICE BOLT:M16	LEG SPLICE BOLT:M16	LEG SPLICE BOLT:M14	LEG SPLICE BOLT:M14	LEG SPLICE BOLT:M14
	BRACE: L0X50X5	BRACE: L50X50X5	BRACE: L40X40X4	BRACE: L40X40X4	BRACE: L40X40X4
	BRACE BOLT:M14	BRACE BOLT:M14	BRACE BOLT:M12	BRACE BOLT:M12	BRACE BOLT:M12 H-BRACE: L60X60X6



LEG PROFILE

LEG	a	b	t
G1&G2	60	80	5
G3&G4	75	80	8
G5	90	80	10



1. TOWER IS DESIGNED PER EIA/TIA-222E SPECIFICATION AND STANDARD
2. TOWER LEGS ARE MADE OF PLATE FORMED 60° CHANNEL AND BRACES ARE ANGELS
3. ALL MEMBERS ARE HOT DIP. GALVANIZED AFTER FABRICATION.
4. ALL METAL MARK No'S ARE STAMPED BEFORE GALVANIZING

FINISH:	H.D GALVANIZED	PERM. VAR.:	DIN 7168 Med	SURFACE:	✓	SCALE:		MATERIAL:	
HARDNESS:		UNITS:	MM	DATE:	80/8/8	AG:		WEIGHT:	
SIZE:		CHECKED:		STANDARD:		PATTERN OR DIE NO.:		TITLE:	UHP MICROWAVE TOWER -30 m
NO.	MODIFICATION	DATE	NAME	ORIGIN:	DESIGN DEPARTMENT	DRAWING NO.:	3KS1-30m-02	SHEET:	
BOUSHTAN GALVANIZE CO. MANUFACTURING & ENGINEERING					SHEET: SH.				



worldbook.ir

free book download

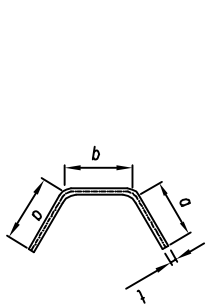
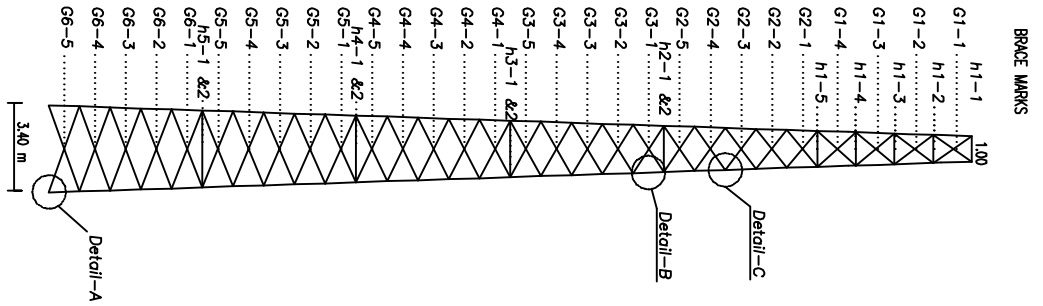
www.worldbook.ir

amir_par2006@yahoo.com

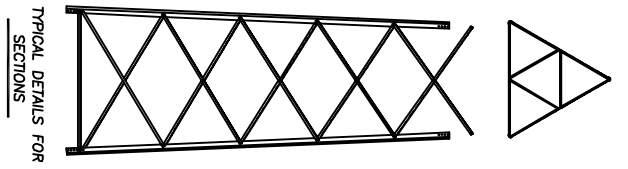
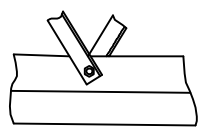
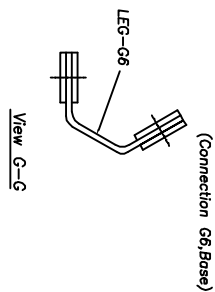
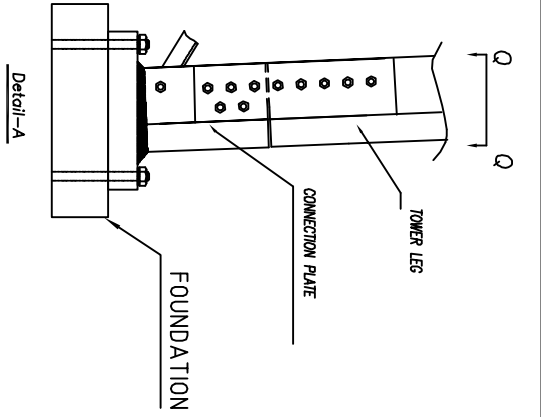
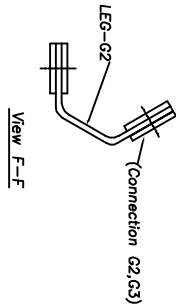
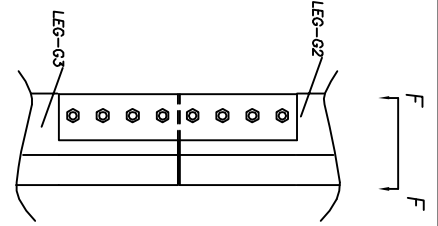


6X600cm =3600 CM.

SECTION TYPE						
LEG MARKS	G-6	G-5	G-4	G-3	G-2	G-1
DIM (IN MM)	LEG:10mm 60° CLANNEL	LEG:10mm 60° CLANNEL	LEG:8mm 60° CLANNEL	LEG:8mm 60° CLANNEL	LEG:5mm 60° CLANNEL	LEG: 5mm 60° CLANNEL
	LEG SPLICE BOLT:M16	LEG SPLICE BOLT:M16	LEG SPLICE BOLT:M16	LEG SPLICE BOLT:M14	LEG SPLICE BOLT:M14	LEG SPLICE BOLT:M14
	BRACE: L60X60X6	BRACE: L0X50X5	BRACE: L50X50X5	BRACE: L40X40X4	BRACE: L40X40X4	BRACE: L40X40X4
	BRACE BOLT:M14	BRACE BOLT:M12	BRACE BOLT:M12	BRACE BOLT:M12	BRACE BOLT:M12	BRACE BOLT:M12 H-BRACE: L60X60X6



LEG	a	b	t
G1&G2	60	80	5
G3&G4	75	80	8
G5&G6	90	80	10



1. TOWER IS DESIGNED PER EIA/TIA-222E SPECIFICATION AND STANDARD
2. TOWER LEGS ARE MADE OF PLATE FORMED 60° CHANNEL AND BRACES ARE ANGELS
3. ALL MEMBERS ARE HOT DIP GALVANIZED AFTER FABRICATION.
4. ALL METAL MARK No'S ARE STAMPED BEFORE GALVANIZING

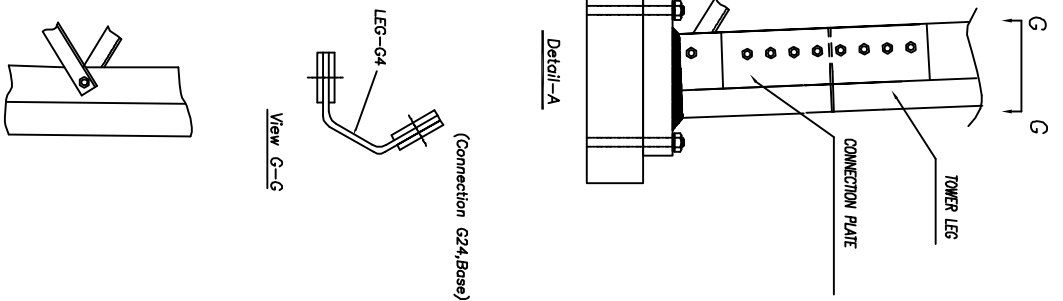
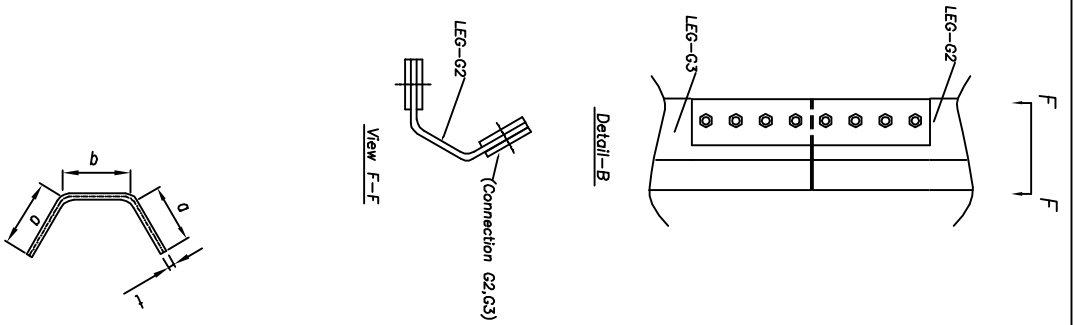
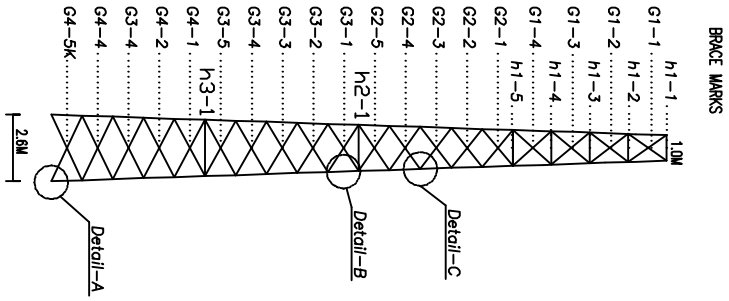
FINISH: H.D GALVANIZED	PERM. VAR.: DIN 7168 Med	SURFACE: ✓	SCALE: _____	MATERIAL: _____
HARDNESS: _____	UNITS: MM	DATE: 85/1/8	WEIGHT: _____	DRAWING NO.: 3KS1-36m-02
SIZE: _____	DESIGN DEPARTMENT	DATE: 85/1/16	PATTERN OR DIE NO.: _____	
DRAWN: _____	AG: _____	DATE: _____	TITLE: UHP MICROWAVE TOWER -96 m	
CHECKED: _____	M.G: _____	DATE: _____	DESIGN DEPARTMENT	SHEET: _____
STANDARD: _____	DESIGN DEPARTMENT	DATE: _____	DESIGN DEPARTMENT	SH: _____
NO. _____	MODIFICATION: _____	DATE: _____	NAME: _____	
			ORIGIN: _____	



BOUSHAN GALVANIZE CO.
MANUFACTURING & ENGINEERING

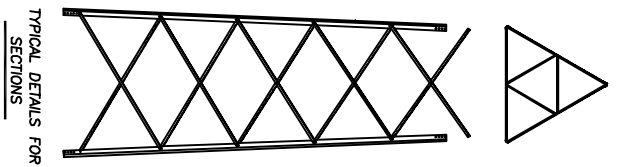
4X600+100 CM =2500 CM.

LEG MARKS	SECTION TYPE			
	G-4	G-3	G-2	G-1
DIM (IN MM)	LEG:8mm 60° CHANNEL	LEG:8mm 60° CHANNEL	LEG:5mm 60° CHANNEL	LEG: 5mm 60° CHANNEL
	LEG SPLICE BOLT:M16	LEG SPLICE BOLT:M14	LEG SPLICE BOLT:M14	LEG SPLICE BOLT:M14
	BRACE: L40X40X4	BRACE: L40X40X4	BRACE: L40X40X4	BRACE: L40X40X4
	BRACE BOLT:M12	BRACE BOLT:M12	BRACE BOLT:M12	BRACE BOLT:M12 H-BRACE: L60X60X6



LEG PROFILE

LEG	a	b	t
G1&G2	60	80	5
G3&G4	75	80	8

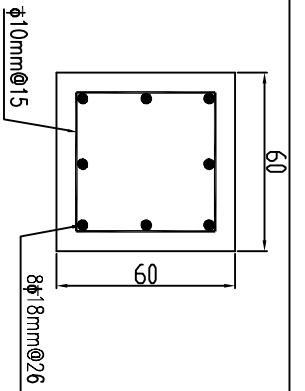
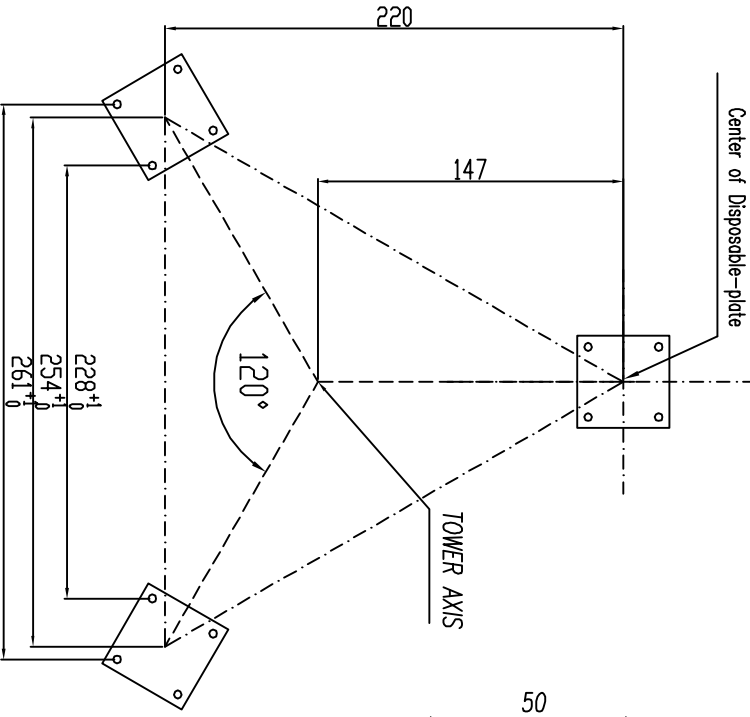
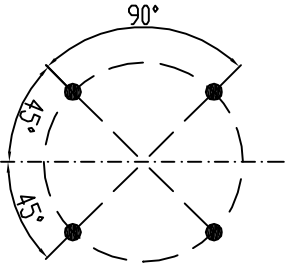


1. TOWER IS DESIGNED PER EIA/TIA-222E SPECIFICATION AND STANDARD
2. TOWER LEGS ARE MADE OF PLATE FORMED 60° CHANNEL AND BRACES ARE ANGELS
3. ALL MEMBERS ARE HOT DIP. GALVANIZED AFTER FABRICATION.
4. ALL METAL MARK No'S ARE STAMPED BEFORE GALVANIZING

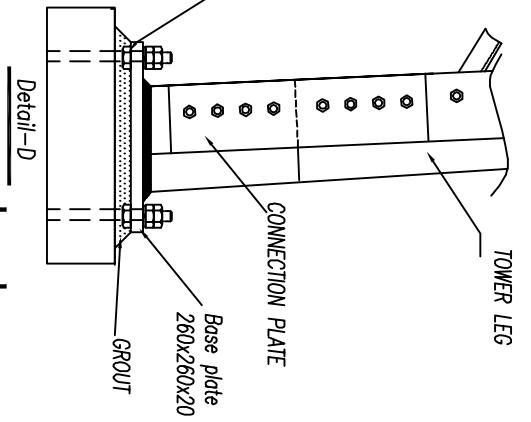
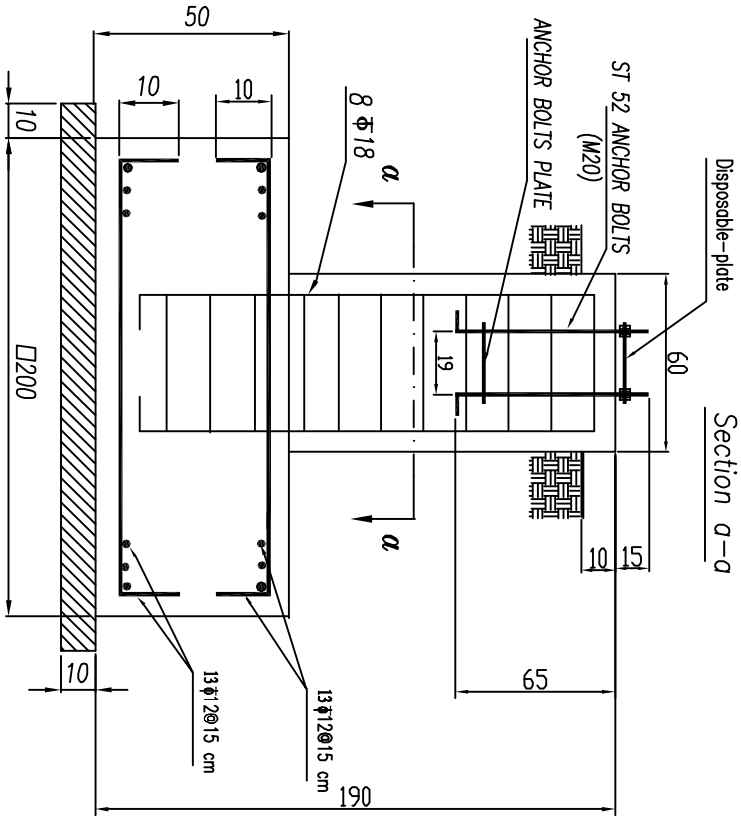
FINISH:	H.D GALVANIZED	PERM. VAR.:	DIN 7168 Med	SURFACE:	✓	SCALE:		MATERIAL:	
HARDNESS:		UNITS:	MM	DATE:	85/1/8	WEIGHT:			
SIZE:		CHECKED:	85/1/16	STANDARD:		PATTERN OR DIE NO.:			
DESIGN DEPARTMENT:									
NO.	MODIFICATION	DATE	NAME	ORIGIN:					
BOUSHTAN GALVANIZE CO. MANUFACTURING & ENGINEERING					DRAWING NO.: 3KS1-24m-02				
REPLACES:					SHEET: SH.				
SUPERSEDED BY:									

UHP MICROWAVE TOWER -24 m

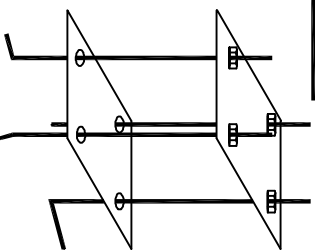
ANCHOR-BOLT ARRANGEMENT



Section a-a



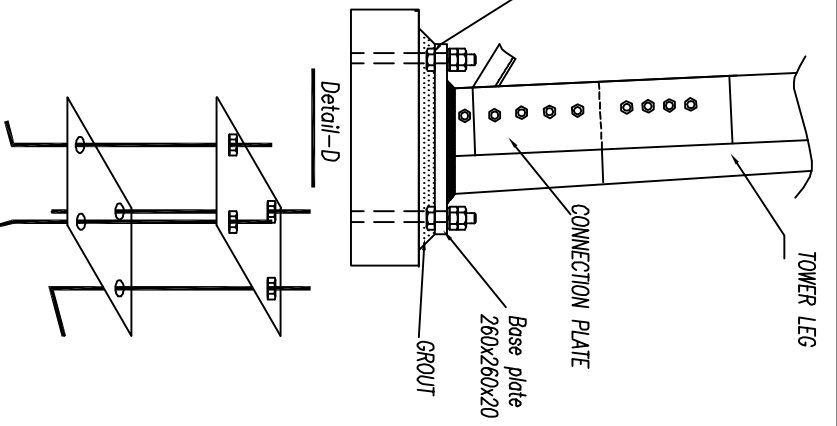
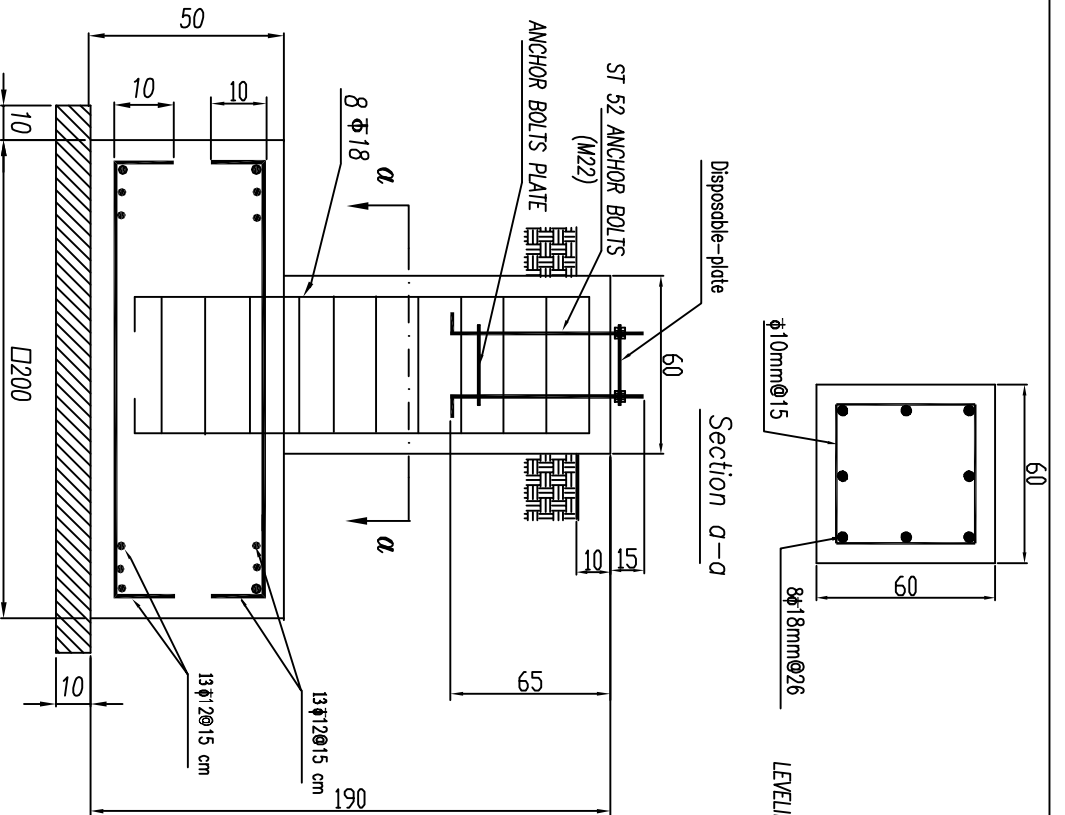
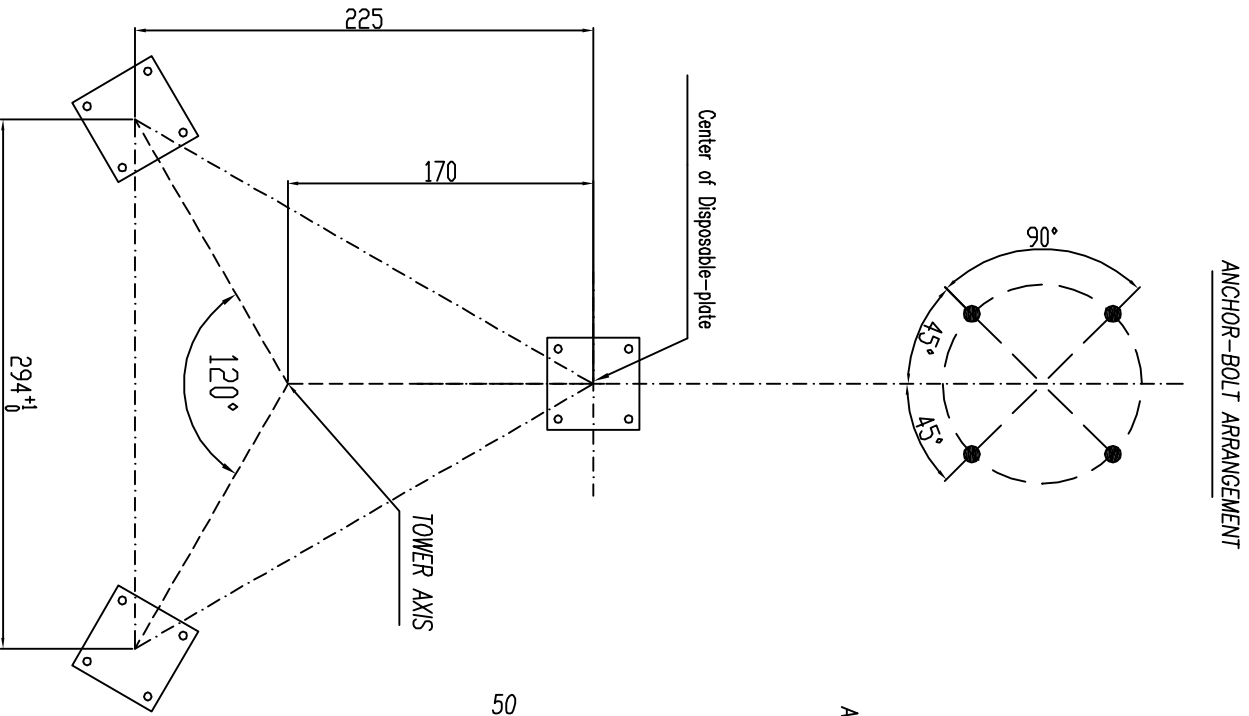
ANCHOR-BOLT ASSEMBLY



DATA FOUNDATION

- 1- Foundation designed for 1 kg/cm³ soil
- 2- concrete req. for one base = 2.88 m³
- 3- Yield strength of bars is 3000 kg/cm²
- 4- concrete strength is 250 kg/cm²
- 5- concrete lean content is 150 kg/m³
- 6- Reach strength of concrete at 28 days is 3000 PSI(210 kg/cm²)

TREATMENT:	PERM. VAR.:	SURFACE:	SCALE:	None	MATERIAL:
HARDNESS:	DIN 7168 Med.	NAME:	WEIGHT:		
SIZE:	UNITS: CM	DATE:	PATTERN OR DIE NO.:		
		1384	TITLE:		
		DRAWN 9/20	UHF MICROWAVE TOWER(SELF SUPPORT) FOUNDATION(24)		
		CHECKED 9/24			
		STANDARD			
		DESIGN DEPARTMENT			
NO.	MODIFICATION	DATE	NAME	ORIGIN	
BOSHAN GALVANIZI CO. Manufacturer of Hot Dip Galvanized component					
DRAWING NO.:			3KS1-P24-03		
REPLACES:			SUPERSEDED BY:		
SHEET:			1		
			SH. 2		



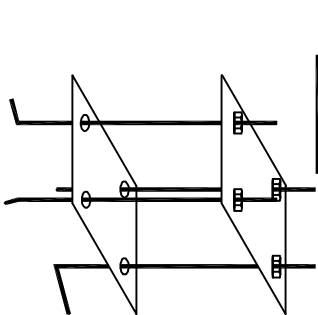
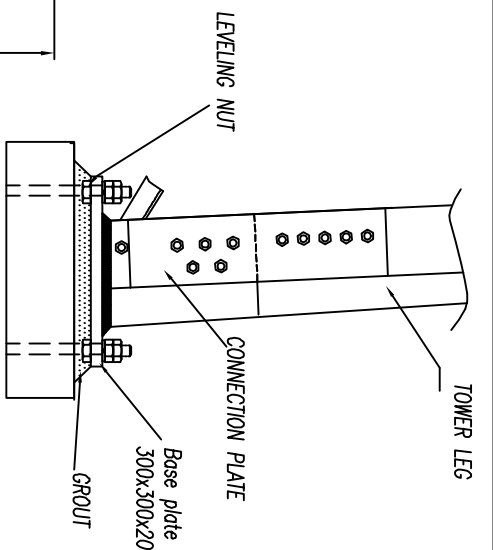
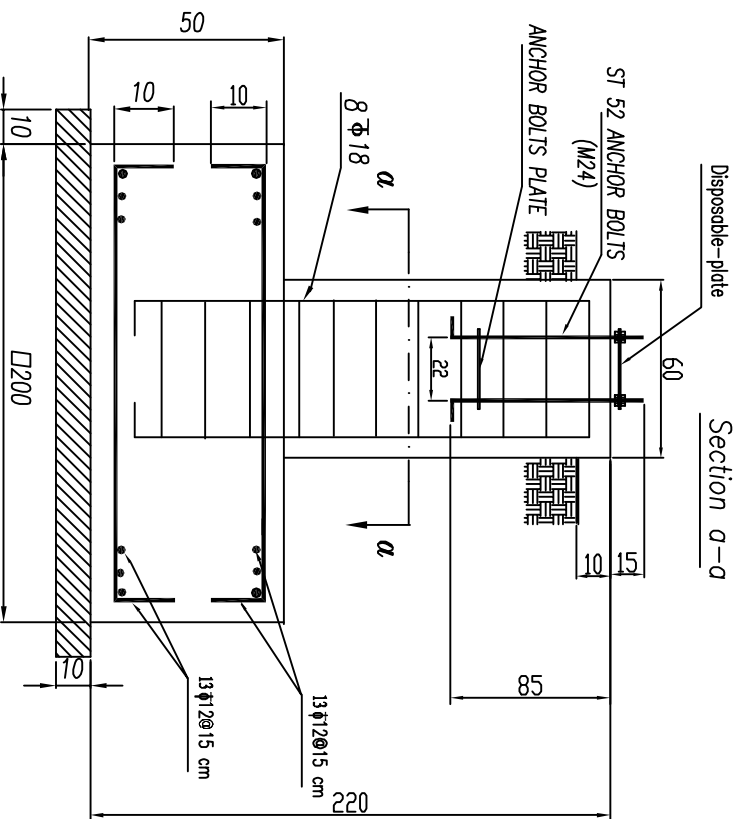
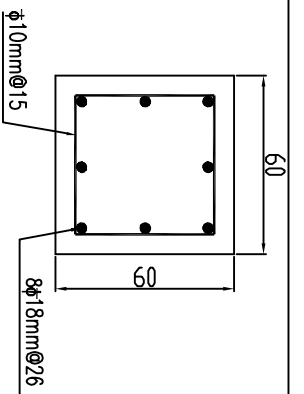
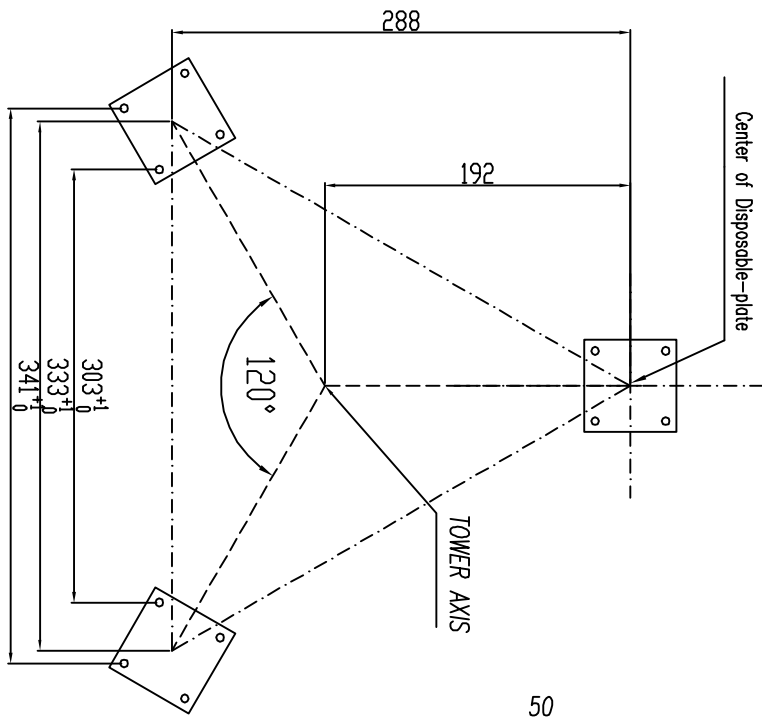
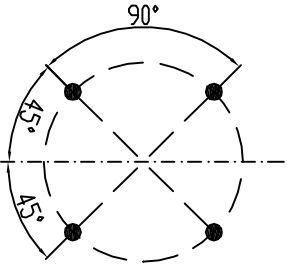
ANCHOR-BOLT ASSEMBLY

DATA FOUNDATION

- 1- Foundation designed for 1 kg/cm²
- 2- concrete req. for one base = 4.22 m³
- 3- Yield strenght of bars is 3000 kg/cm²
- 4- concrete strenght is 250 kg/cm²
- 5- concrete lean content is 150 kg/m³
- 6- Reach strenght of concrete at 28 days is 3000 PSI(210 kg/cm²)

TREATMENT:	PERM. VAR.:	SURFACE:	SCALE:	MATERIAL:
HARDNESS:	DIN 7168 Med.	✓	None	
SIZE:	UNITS: CM	NAME:	WEIGHT:	PATTERN OR DIE NO.:
	1384	DATE:		
	DRWN: 9/20	NAME:		
	CHECKED: 9/24	A.G.		
	STANDARD:			
	DESIGN DEPARTMENT:			
NO.	MODIFICATION	DATE	NAME	ORIGIN:
BOSHAN GALVANIZE CO. Manufacturer of Hot Dip Galvanized component				
DRAWING NO.:			3KS1-PS30-03	
SHEET:			1	
			SH. 2	
UHF MICROWAVE TOWER(SELF SUPPORT) FOUNDATION(30 M)				

ANCHOR-BOLT ARRANGEMENT



DATA FOUNDATION

- 1- Foundation designed for 1 kg/cm² soil
- 2- concrete req. for one base = 2.62 m³
- 3- Yield strength of bars is 3000 kg/cm²
- 4- concrete strength is 250 kg/cm²
- 5- concrete lean content is 150 kg/m³
- 6- Reach strength of concrete at 28 days is 3000 PSI(210 kg/cm²)

TREATMENT:	PERM. VAR.:	SURFACE:	SCALE:	MATERIAL:
HARDNESS:	<i>DIN 7168 Med.</i>	✓	None	
SIZE:	UNITS: <i>CM</i>	NAME:	WEIGHT:	PATTERN OR DIE NO.:
		1384		
		DATE		
		9/20		
		CHECKED		
		9/24		
		STANDARD		
		A.G		
		DESIGN DEPARTMENT		
NO.	MODIFICATION	DATE	NAME	ORIGIN:
BOSHAN GALVANIZE CO. Manufacturer of Hot Dip Galvanized components				
DRAWING NO.:			3KS1-P36-03	
SHEET:			1	
SH:			2	

UHF MICROWAVE TOWER(SELF SUPPORT)
FOUNDATION(36)